

# MAGNUM

**MODEL 4436-6**



**World Class Products  
For Precision Dry Blasting**

[www.blast-it-all.com](http://www.blast-it-all.com)  
[sales@blast-it-all.com](mailto:sales@blast-it-all.com)

**Larry Hess & Associates, Inc.  
Salisbury, NC**



## Technical Specifications

1. **Reclaim:** High performance 600-CFM Cyclone Type.
2. **Light Box:** Two (2) tube 24" Fluorescent light, ON-OFF control switch for light and reclaimer.
3. **Viewing Window:** Large 12" x 20" tempered glass. Provides long life and minimizes static build-up of dust.
4. **Mylar with Dispenser:** Mylar lens material shown with Lens dispenser.
5. **Door Cam Latch:** Adjustable door latch.
6. **Easy Change Glove:** Snap in cloth lined vinyl gloves, 7" diameter x 26" long,
7. **Air Regulator and Gauge:** Allows adjustable air pressure to gun for proper media flow to provide finish desired.
8. **Cabinet Sump Clean Out Access Door:** Allows recovery of small parts that may fall from blast cabinet.
9. **Foot Blast Control:** Left or right foot blast operation.
10. **Cabinet Doors:** Full opening double walled access doors.
11. **Motor:** 1 HP, 120 Volts, Single Phase, 11 Amp, 3450 RPM.
12. **Dust Collector:** Large Dust Bag with bottom zipper.
13. **Media Fill Door:** Add media to machine and remove debris screen basket inside reclaimer
14. **Sump Return Hose:** 4" flexible duct hose from machine sump outlet to reclaimer inlet.
15. **Media Flow Valve:** Universal feed valve allowing 2" drain plug outlet for easy clean-out.
16. **Media Hose:** 1/2" media line hose from reclaimer media valve to bottom fitting on blast gun.
17. **Compressed Air Inlet:** 1/2" coupler for easy installation of optional moisture trap.
18. **Safety Door Interlocks:** Cabinet wired with safety door interlocks to prevent accidental blasting with door open.

### Media Blast Gun

Lightweight aluminum pistol grip for long life. Interchangeable air jets and nozzles for various air supplies and media flow. 5/32" air jet supplied as standard. Other air jets and nozzles supplied upon request.

### Cabinet Fabrication

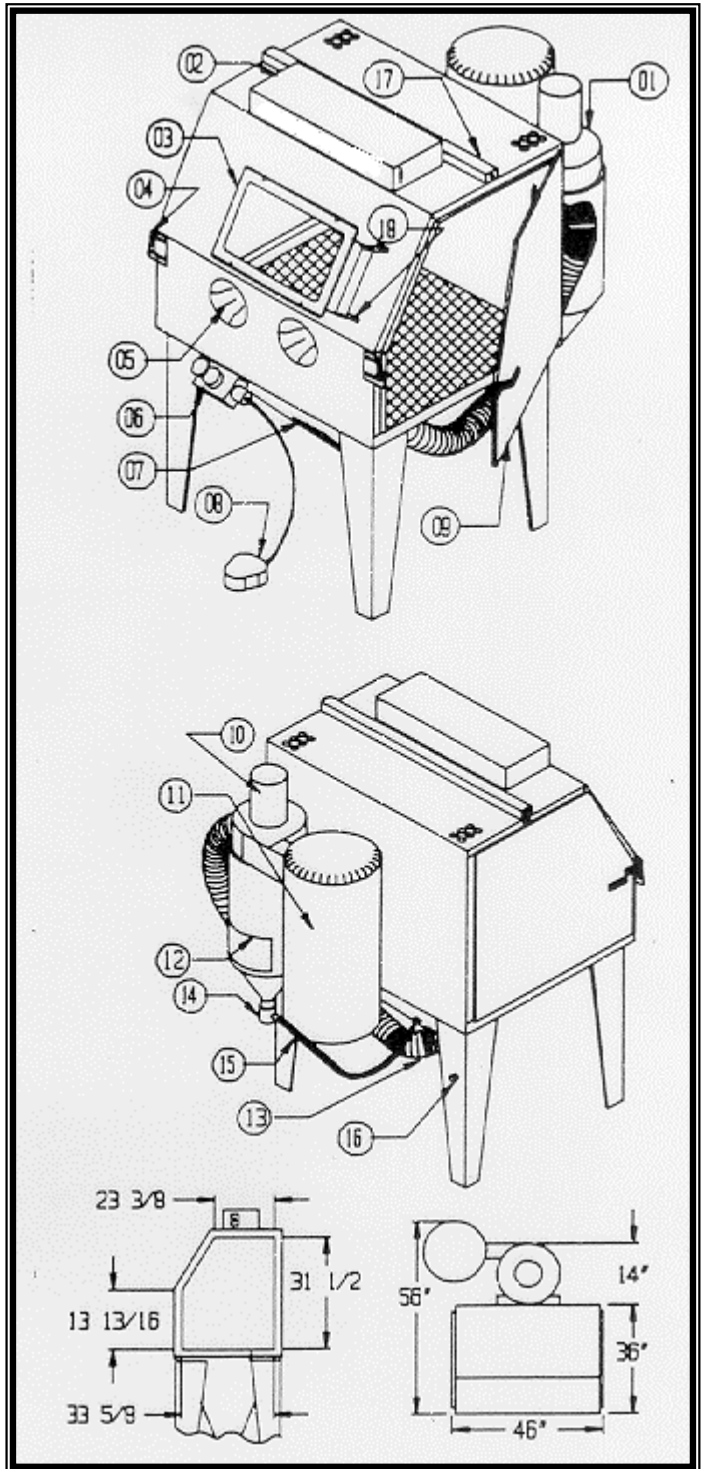
Heavy 14 and 11 gauge welded steel construction. Two coats of industrial quality paint.

### Packing and Shipping

Machine and Reclaimer secured on wood pallet for shipping.

#### Media Gun Compressed Air Requirements

(CFM*)	Orifice / Nozzle	40 PSI	60 PSI	80 PSI
1/4" Nozzle - 1/8" Air Jet	#4	12*	17*	21*
5/16" Nozzle - 5/32" Air Jet	#5	19*	27*	34*
3/8" Nozzle - 3/16" Air Jet	#6	27*	37*	47*



	DISTRIBUTOR	